



C3M4 COMBAT DRONE

www.gatesofantares.com

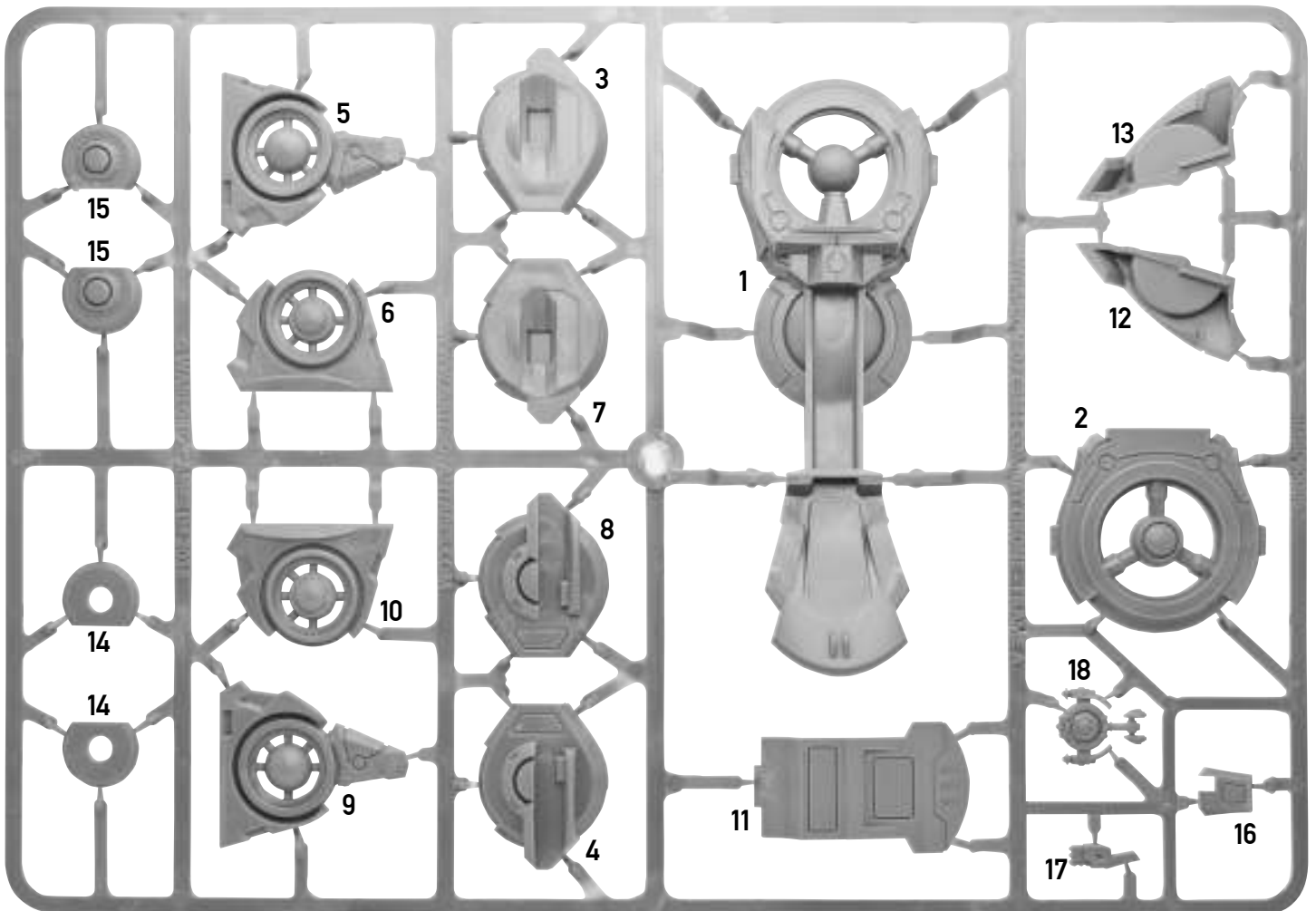
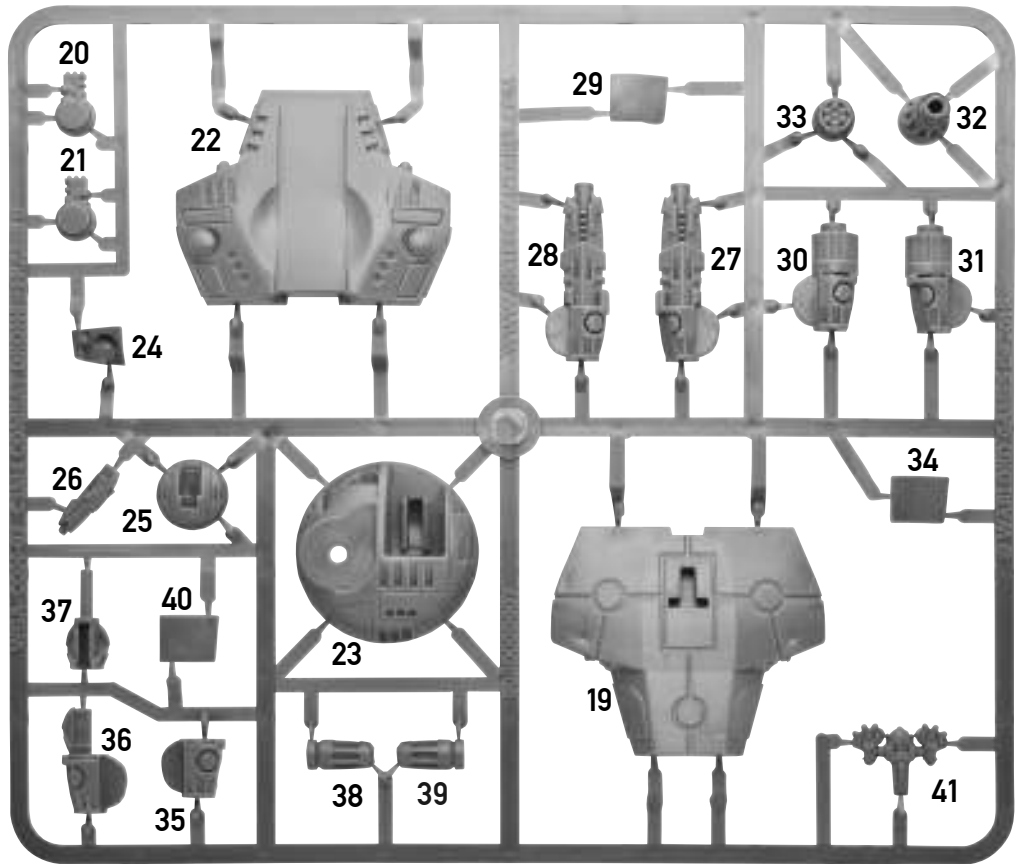
Follow these simple instructions to build your plastic C3M4 Combat Drone.

Assemble the parts in numerical order. Remove components from the frame with clippers or a craft knife and trim away excess plastic before assembling. Test fit all parts before applying glue.

We recommend using polystyrene cement to assemble the model.



Areas marked with this symbol should not be glued to allow parts of the model to rotate or to be swapped out as required.



Component code: 507000002

